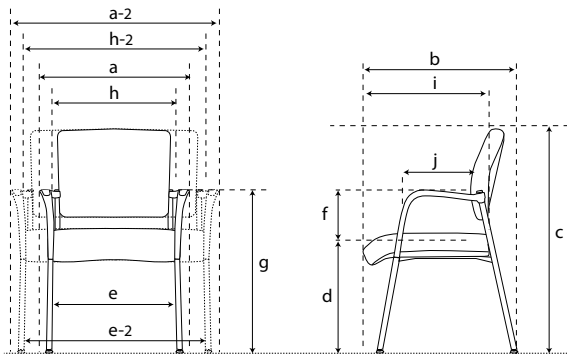


# F I N E S S E



The dimensions in solid lines are those of the regular FI-4. The ones with the dotted line and '-2' suffix are those of the FI-B bariatric version.

## Dimensions

a : 25½" (648 mm)	f : 8½" (216 mm)
a-2: 31½" (775 mm)	g : 26½" (678 mm)
c : 35" (890 mm)	h : 20" (508 mm)
d : 19" (485 mm)	h-2: 26½" (650 mm)
b : 24½" (622 mm)	g : 26½" (675 mm)
e : 20" (508 mm)	i : 19¼" (490 mm)
e-2: 25½" (625mm)	j : 10" (254 mm)

## Specifications

The FINESSE Series consists of chairs and armchairs on four legged base, with or without casters, in standard or bariatric version.

The frames are made of ⅝" diameter 14 gauge bent steel.

The seat and back are made of ⅝" diameter 14 gauge bent tubular steel. Both seat and back are screwed over 2 flat ⅜" thick steel plates, welded on the frame.

The seat and back may be replaced in the field.

All components use ADI's <<Suspension>> technique. Flexible woven plastic belts are slipped onto the frames and pulled taut. Belts are doubled on the bariatric version. The backrest is bordered with a 1" molded foam cushion on the front of the back. The rear of the backrest is covered with ¾" thick foam. The seat surface consists of a moulded cushion 1¼". An additional ½" thick foam is wrapped around on the bariatric version. All cushions are made of fire retardant urethane foam.

Fabric, vinyl or leather covers complete the upholstery and are held in place with zippers located along the bottom edge of the backrest and under the seat.

Armrests on the regular version are made of moulded polypropylene. They are inserted in the front and back tubes and retained with screws. The arms on the bariatric version are made of steel blades ¼" thick x 2" wide, covered with a ½" thick foam. Fabric or vinyl covers are slipped over the arm and secured with zippers.

The base is equipped with 4 metal swivel head glides. Protective nylon caps can be installed over the glides. 45mm casters are available as an option.

## Colours and finishes

Arms are offered in 3 colours : black, dark grey and light grey. The frame is available in chrome, brushed chrome, black, sandy black, chrome, silver grey, dark grey, light grey and beige.

FINESSE chairs meet the BIFMA/ANSI x5.1 2002 standards and are Greenguard certified. The bariatric version is rated at 500 lbs.



ART DESIGN INTERNATIONAL

3450, 1ÈRE RUE, ST-HUBERT (QUÉBEC), CANADA J3Y 8Y5  
 TEL. (450) 926-1004 1-800-663-6794 FAX (450) 926-0013 1-888-407-6435  
 e-mail : info@adi-artdesign.com